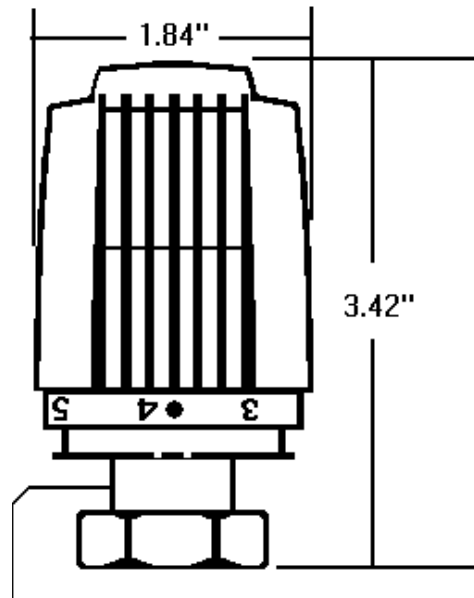


# Installation Dimensions

## Type 72N, 62 Control—Valve Mount Air Temperature Sensor



**ammark**  
CORPORATION®

Ammark Corporation, 230 West Parkway, Unit 12, Pompton Plains NJ 07444  
Phone: 800-937-0426 Fax: 973-616-0246 Email: sales@ammarkcorp.com  
www.ammarkcorp.com