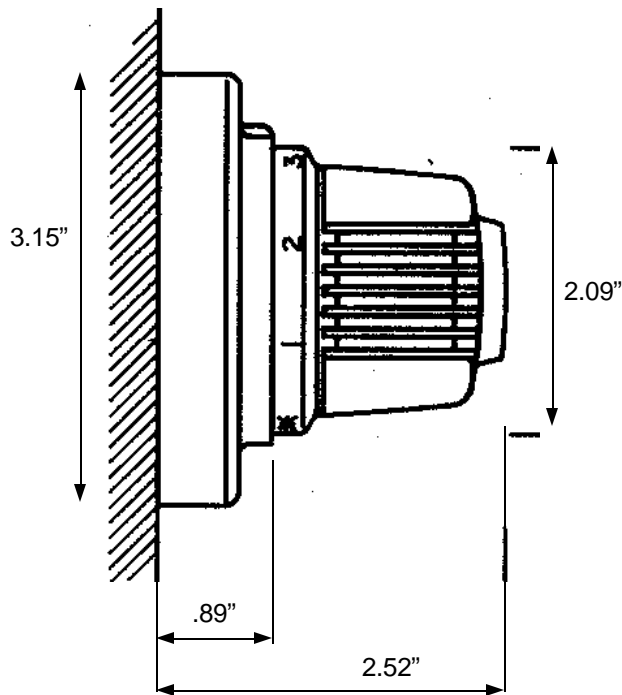
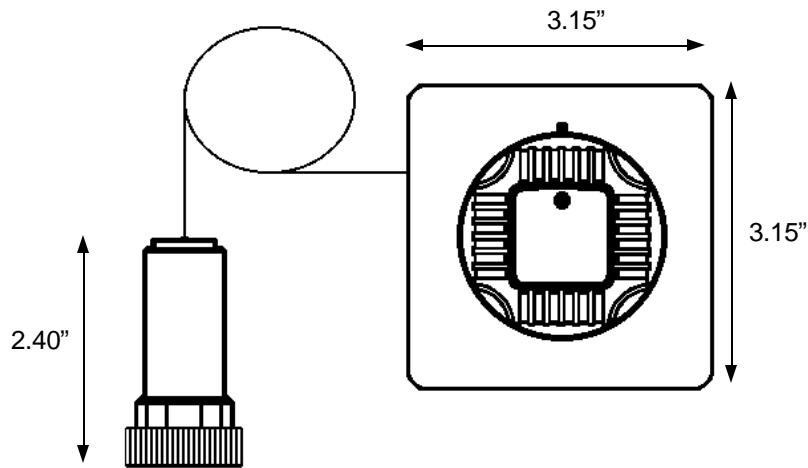


Installation Dimensions

Type 76N, 76NL, 66, 66L Control—Remote Adjustment Dial

Capillary Lengths:

Controls 76N, 66: 6 ½'
Controls 76NL, 66L: 16 ¼'



ammark
CORPORATION

Ammark Corporation, 230 West Parkway, Unit 12, Pompton Plains NJ 07444
Phone: 800-937-0426 Fax: 973-616-0246 Email: sales@ammarkcorp.com
www.ammarkcorp.com